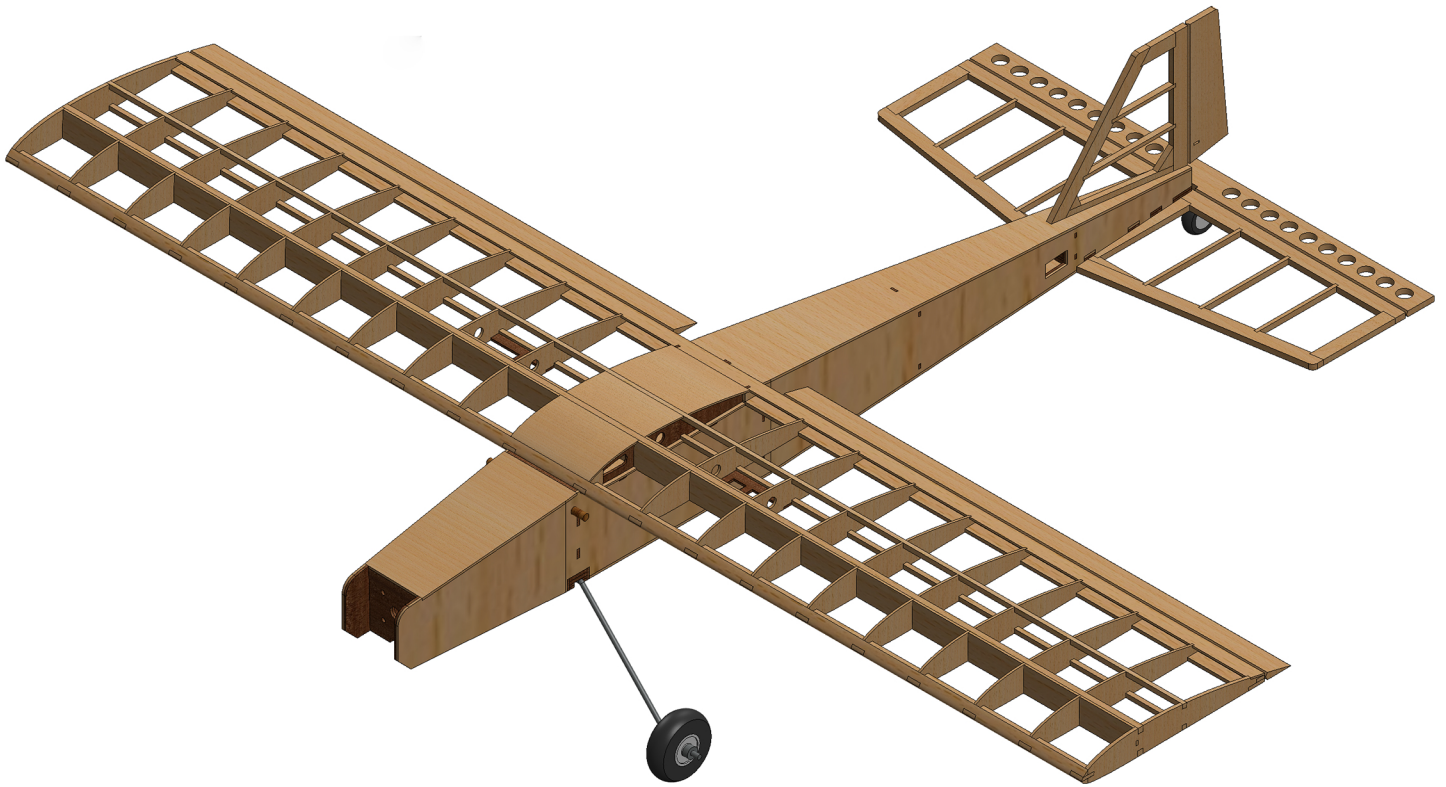


Before beginning assembly, please read these instructions thoroughly.

ASCEND HOBBIES

EP
version



BRAVO

KIT

RADIO CONTROL TRAINER Balsa AIRPLANE KIT INSTRUCTION MANUAL

DESCRIPTION

The Bravo is a radio-controlled trainer. For 4-channel RC and 2212 brushless motors. This aircraft is ideal for flight training. It retains its posture even when it stalls unexpectedly at low speeds, creating the best early flying experience for beginners.

⚠ UNDER SAFETY PRECAUTIONS **This radio control model is not a toy!**

- It is highly recommended that first-time builders seek advice of experienced modelers before beginning assembly.
- Assemble this kit only in places out of children's reach!
- Take enough safety precautions prior to operating this model. You are responsible for this model's assembly and safe operation!
- Always keep this instruction manual ready at hand for quick reference, even after completing the assembly.
- Taking out liability insurance is recommended.

ASCENDHOBBIES@OUTLOOK.COM
WWW.ASCENDHOBBIES.COM

SPECIFICATIONS

- Wingspan: 1070mm
- Length: 825mm
- Wing Area: 22dm²
- Flying Weight: None
- Power Required: 2212 Brushless Motor
- Speed Controller Required: 30A
- Servos Required: 19g Servo × 4
- Battery Required: 3S
- Prop Required: 8 × 4
- Radio Required: 4-Channel
- CG (Center of Gravity): 69mm Rearward of wing leading edge

NOT INCLUDED IN KIT

- Cyano-acrylate glue
- Epoxy
- Motor and electronics
- Radio control gear
- Battery
- Polyester heat-shrink covering

TOOLS REQUIRED (Purchase separately!)

- Scissors
- Awl
- Sharp Hobby Knife
- Phillips screwdrivers(sizes: L, M, S)
- Ruler
- Wire Cutters
- Needle Nose Pliers
- Hex Wrench (2, 2.5, 3mm)
- Drill, Handgrinder
- Screw Cement
- Grinding Polishing Strips

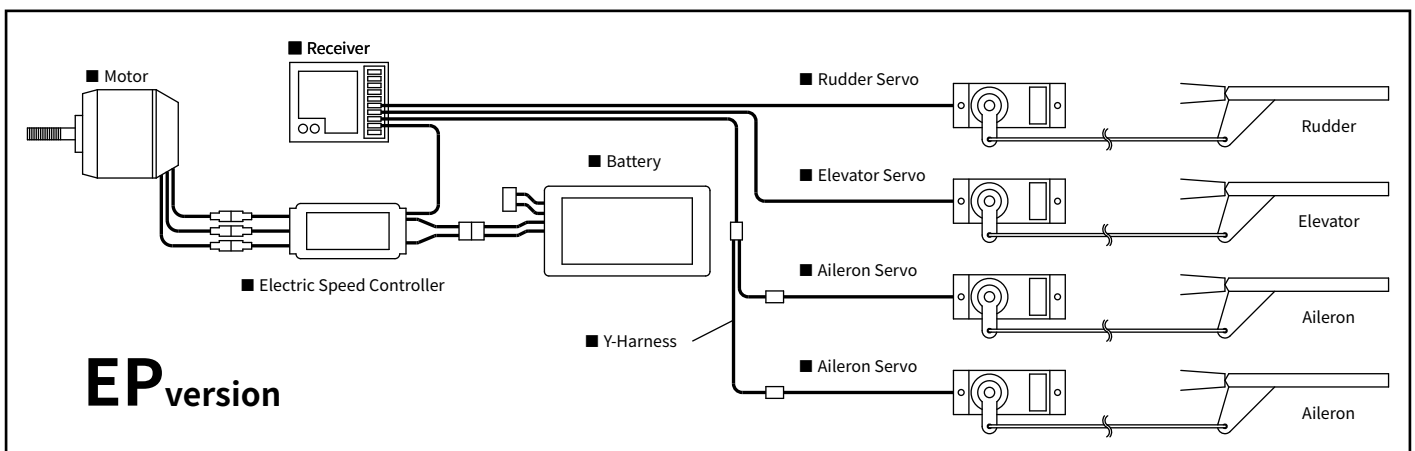
BEFORE YOU BEGIN

- ASCEND HOBBIES accepts no responsibility for accidents, damage or breakage if other manufacturers parts are used.
- Read through the manual before you begin, so you will have an overall idea of what to do.
- Check all parts. If you find any defective or missing parts, contact your local dealer or our ASCEND HOBBIES Distributor.

BASIC CONNECTION FOR AIRPLANE AND ADJUSTMENT OF SERVOS

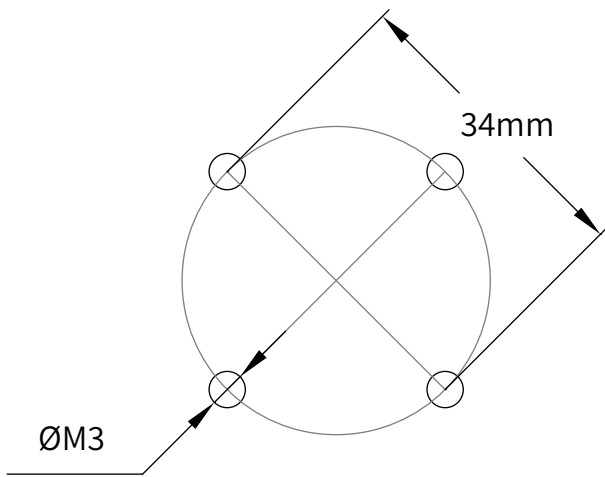
Example of connection

- For more information, refer to radio system instruction manual.
- Follow instruction manual of Engine, Battery, Motor and ESC.

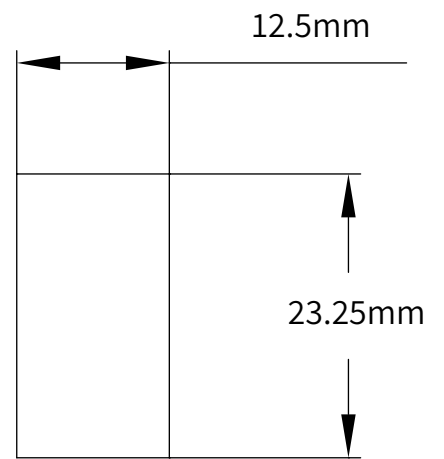


- If using a battery for the receiver, disconnect the positive (+) connector from the ESC and isolate.

ELECTRONIC DEVICE MOUNTING HOLE SIZE

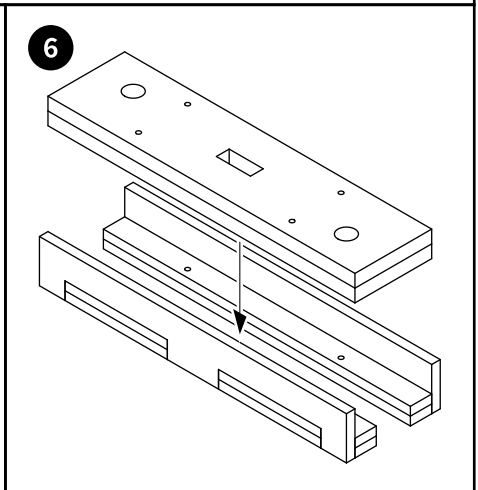
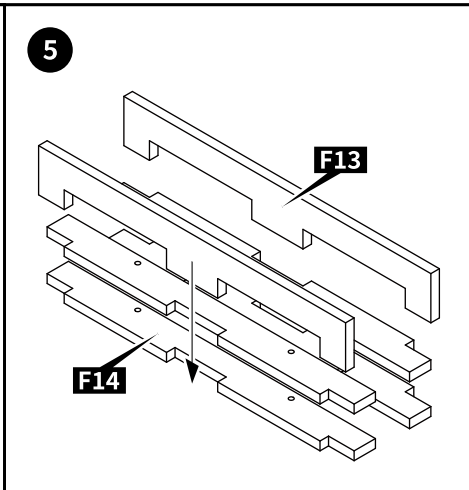
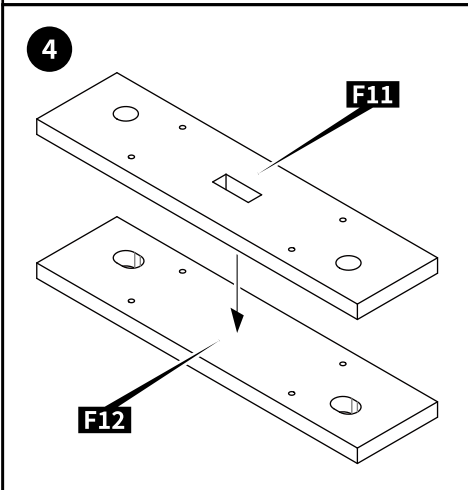
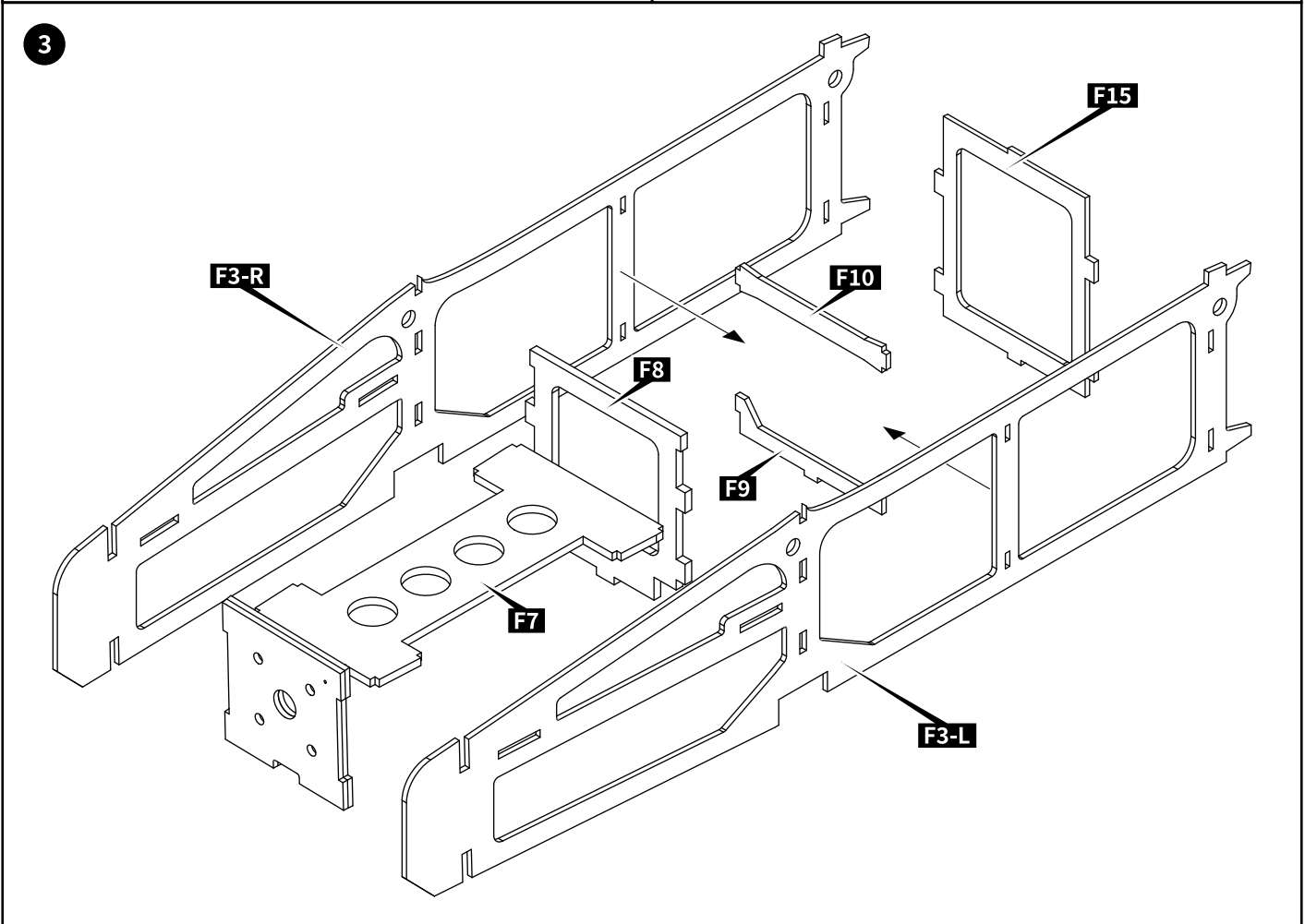
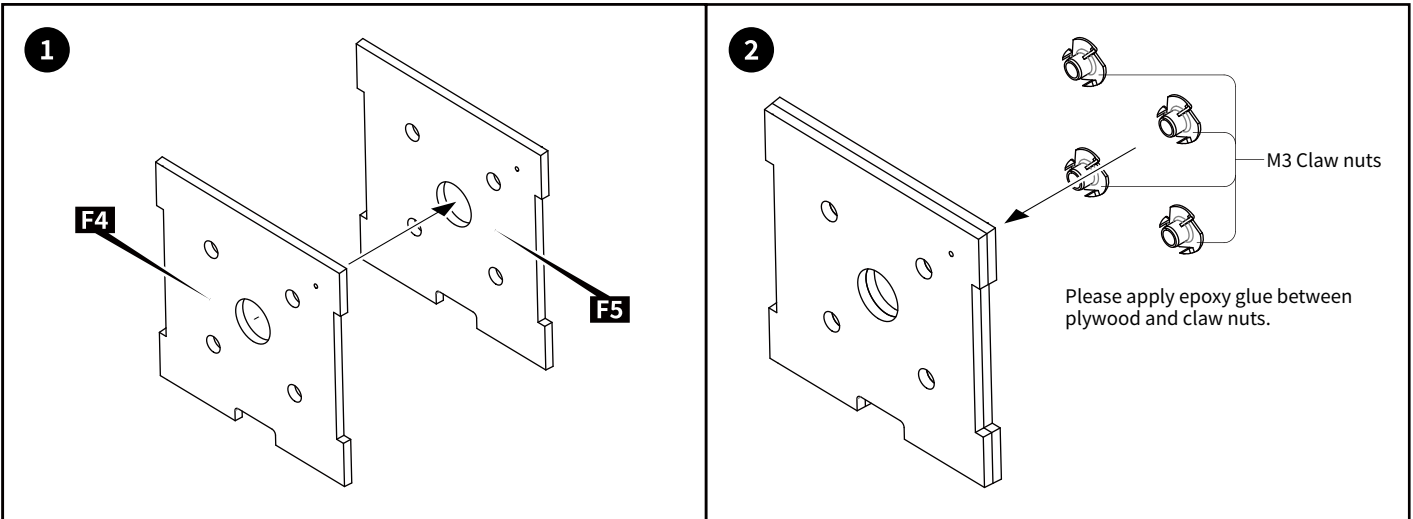


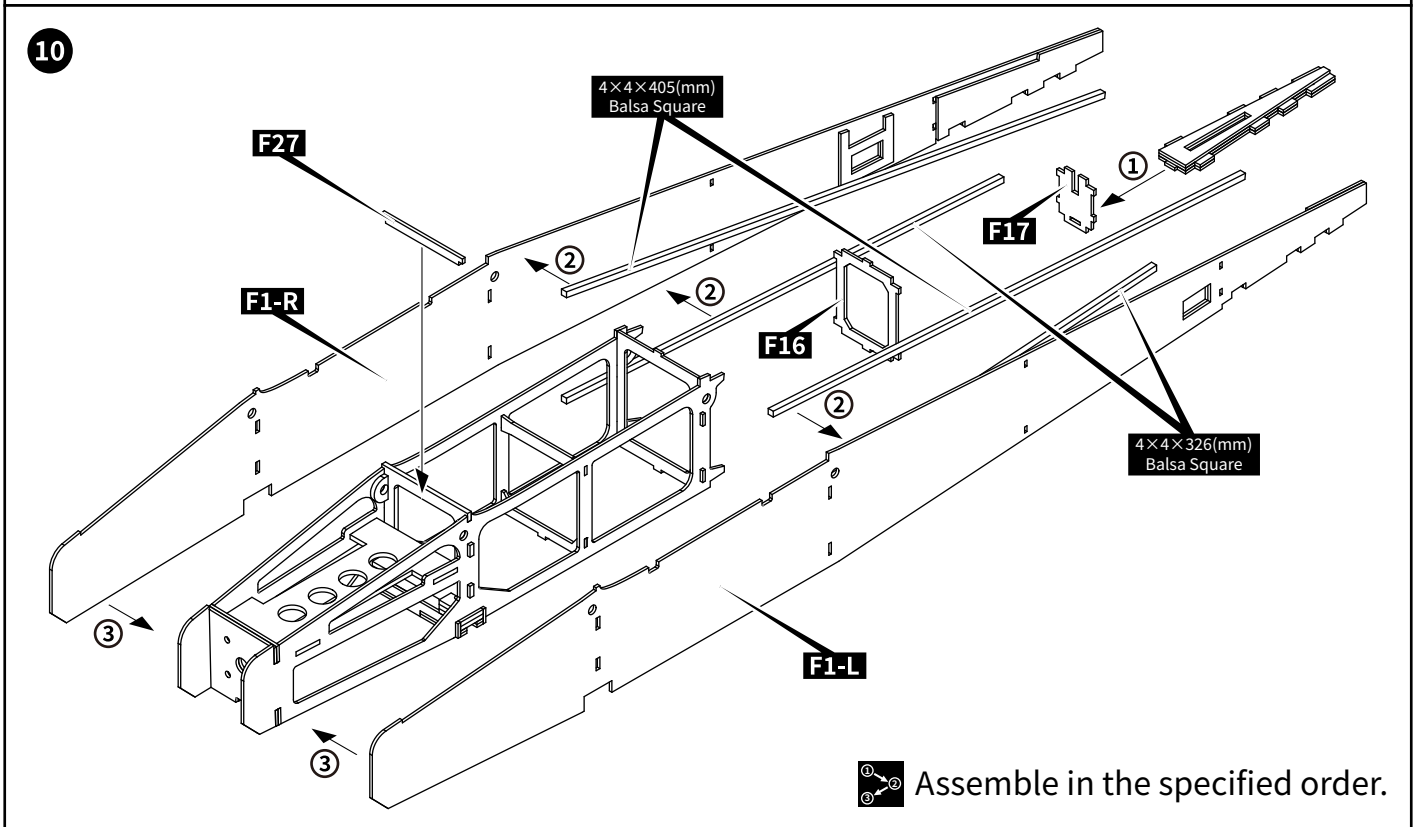
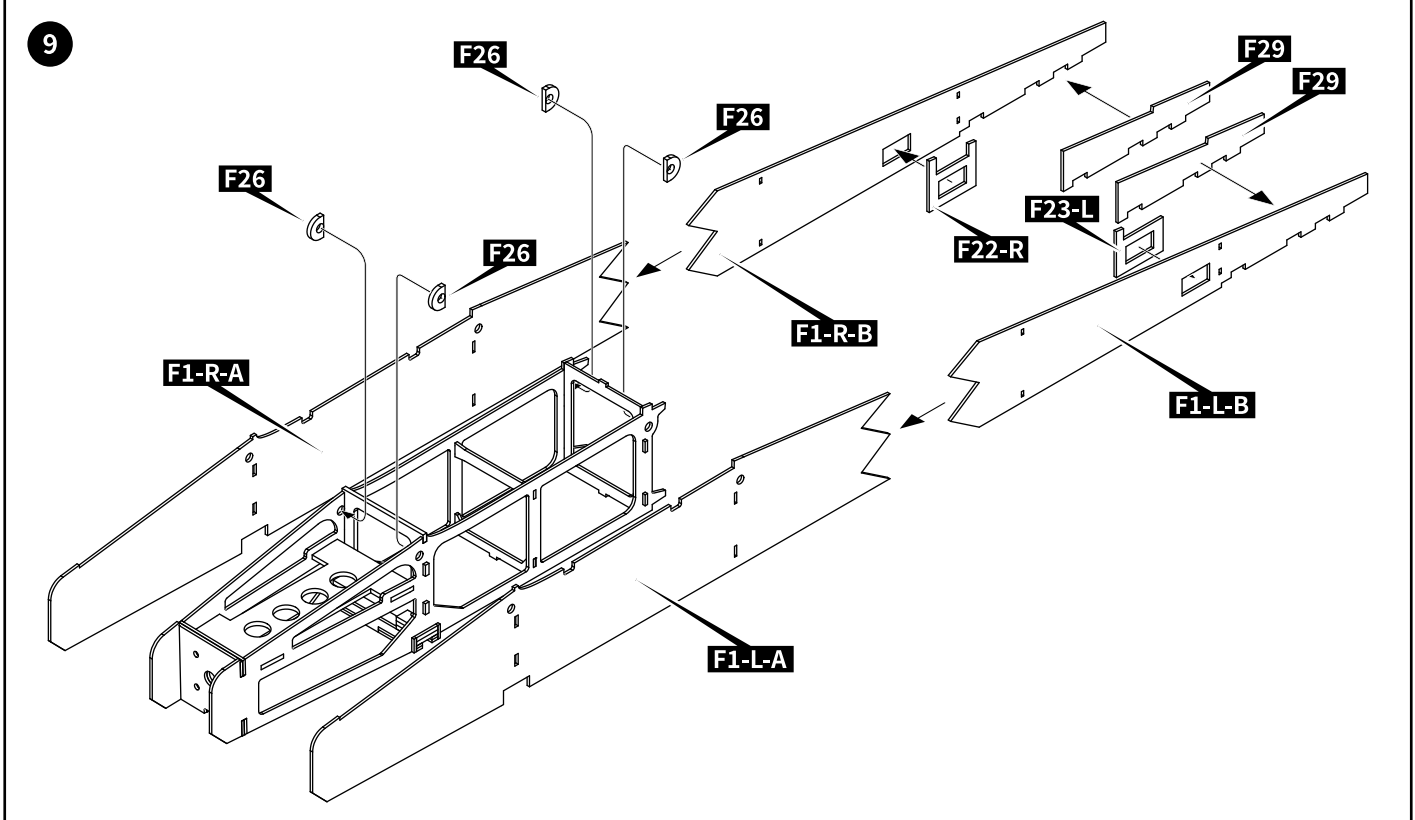
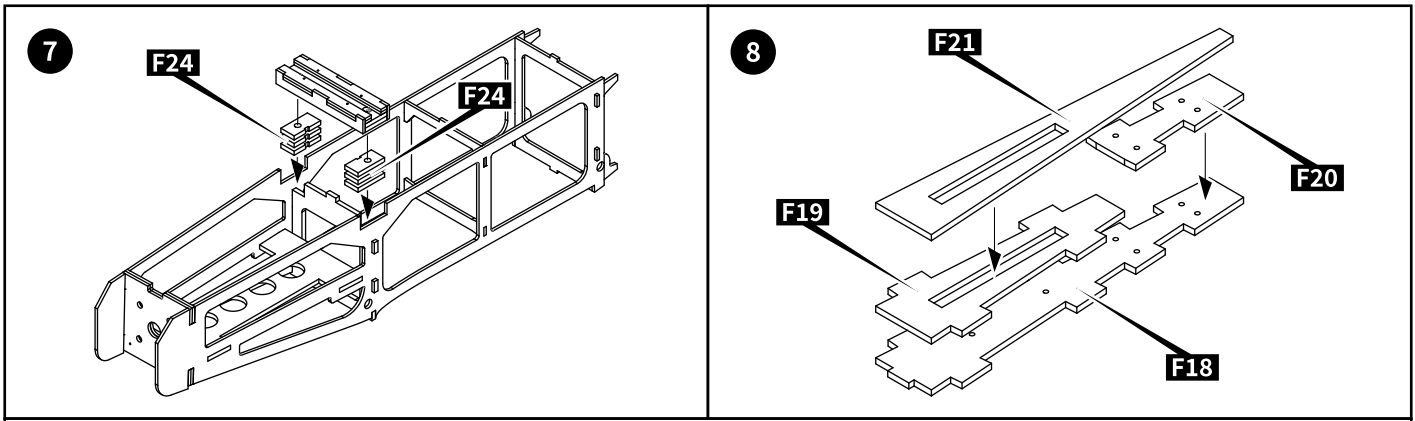
brushless motor mounting bracket size




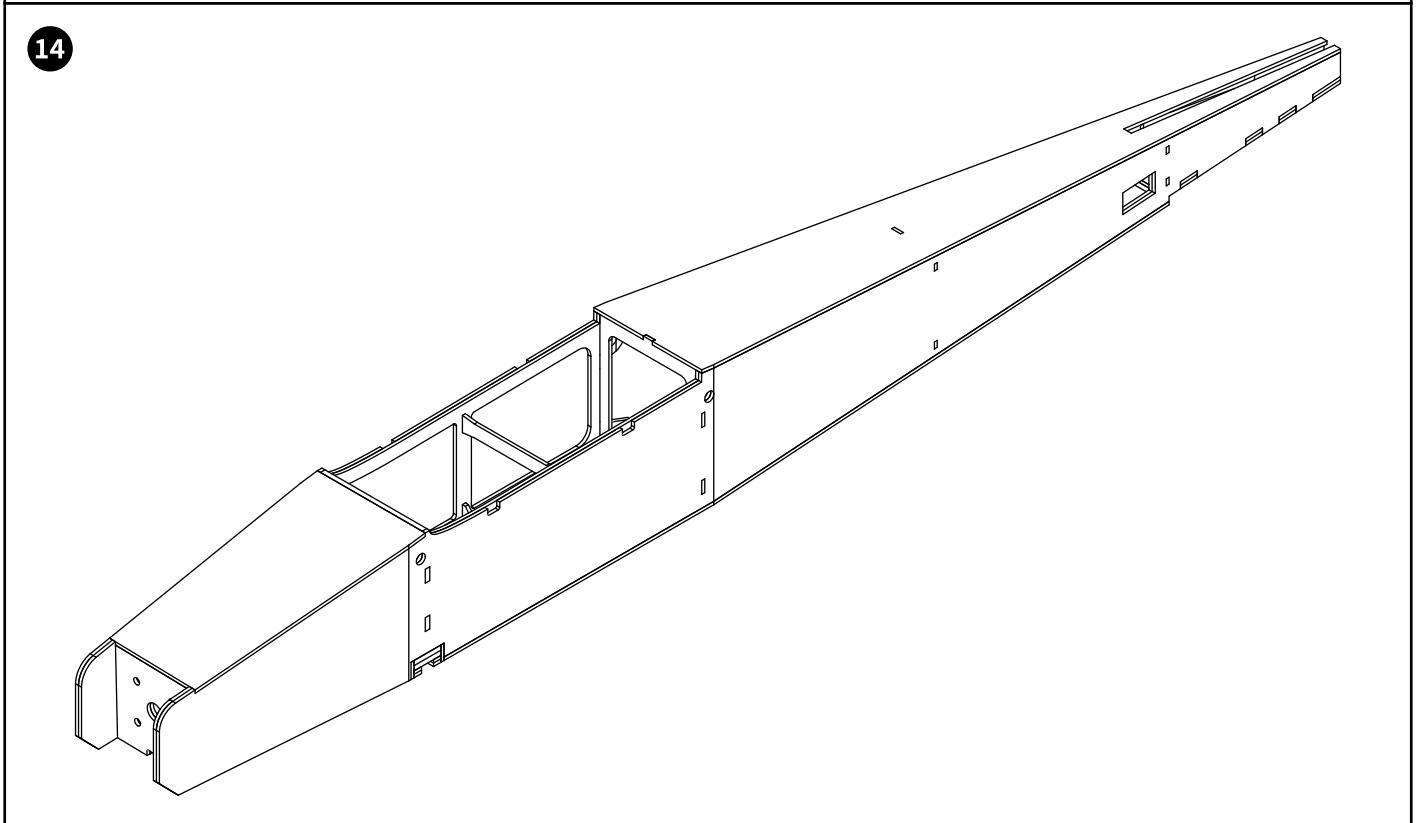
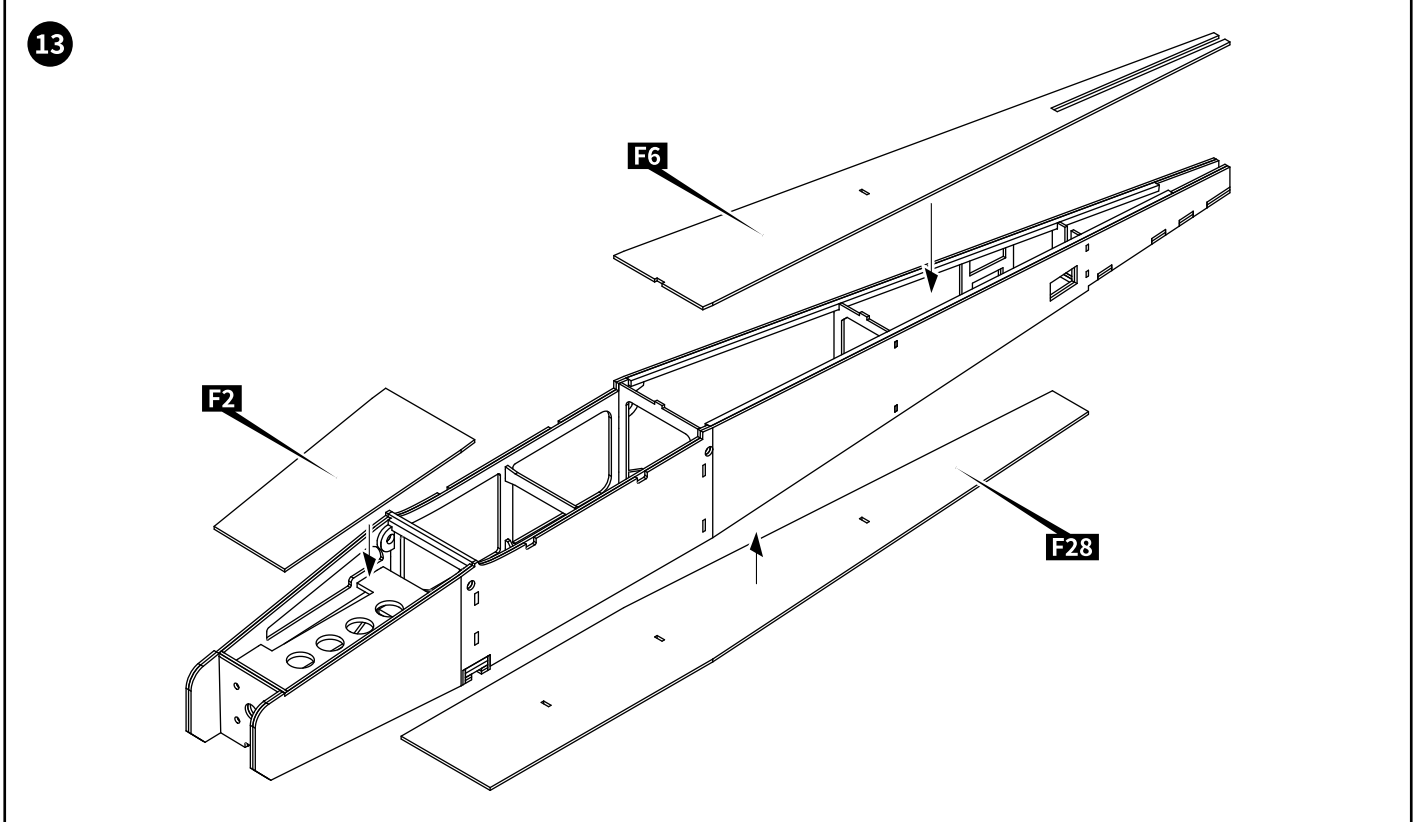
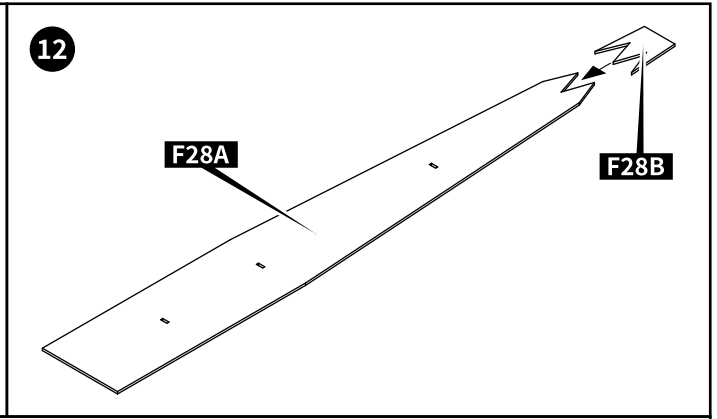
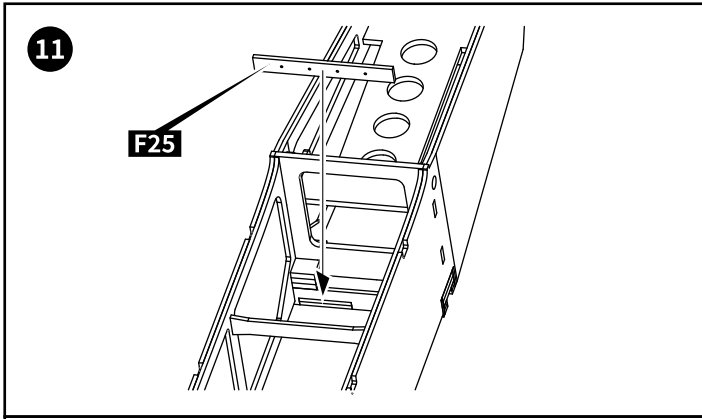
servos hole size

FUSELAGE ASSEMBLY



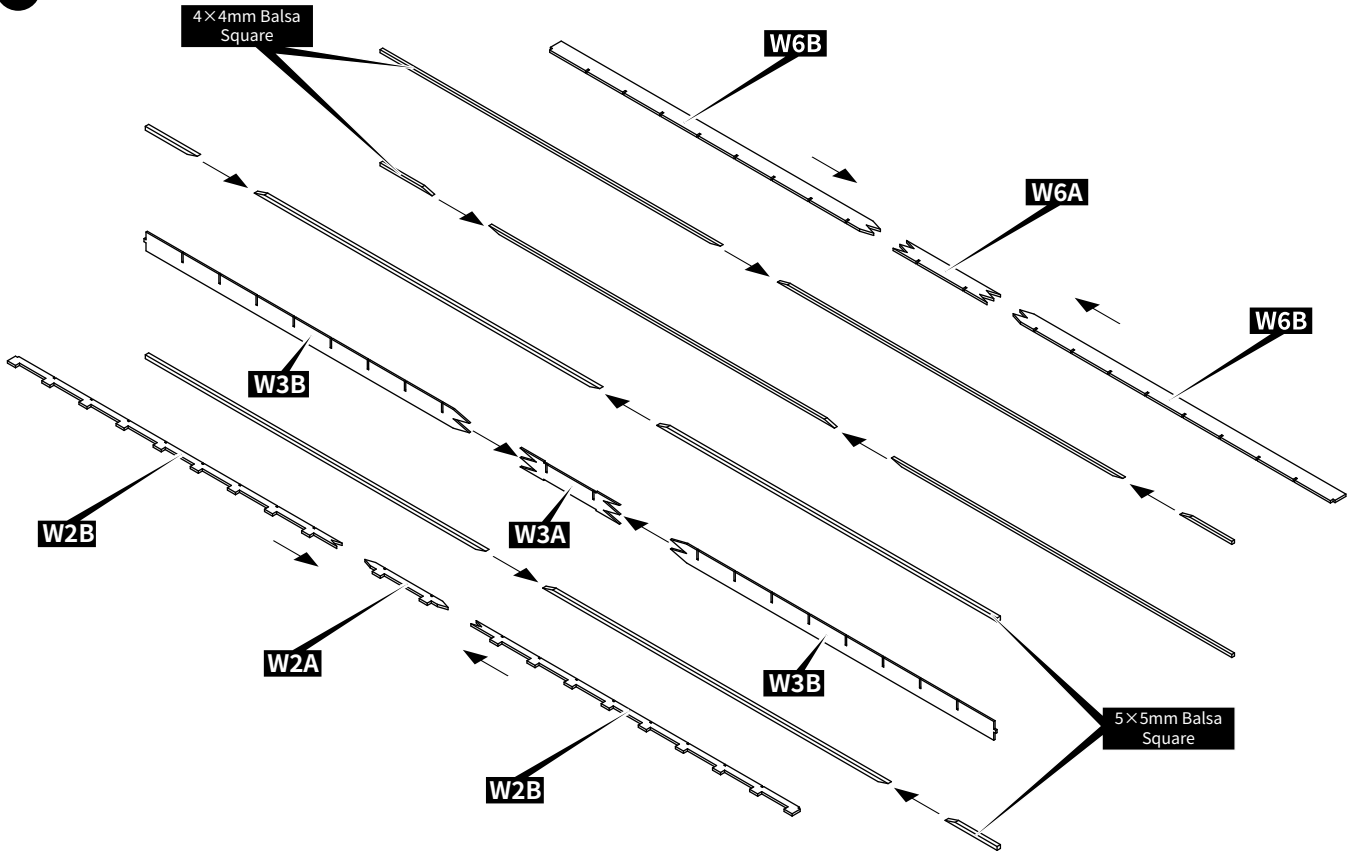


 Assemble in the specified order.



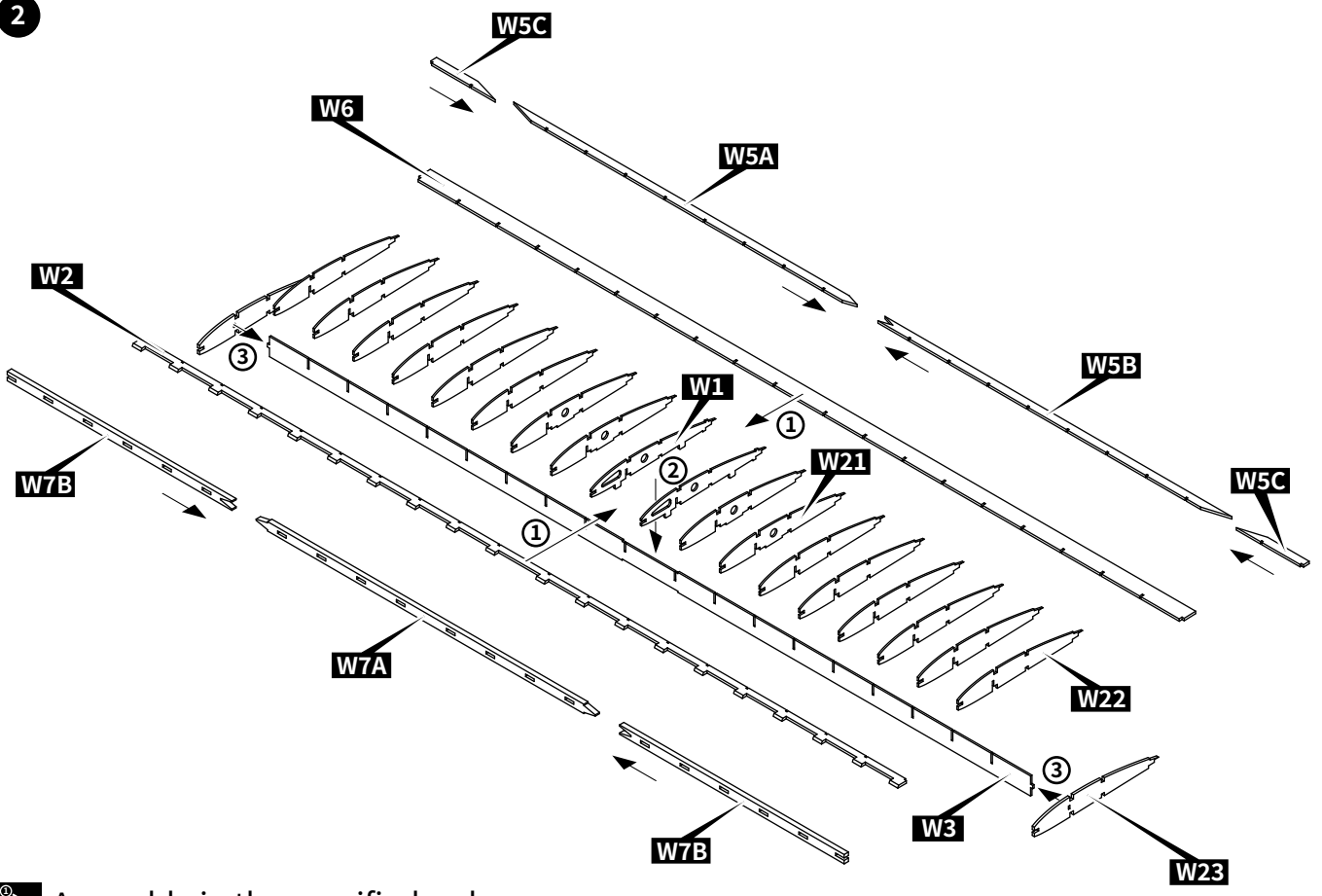
WING ASSEMBLY


1

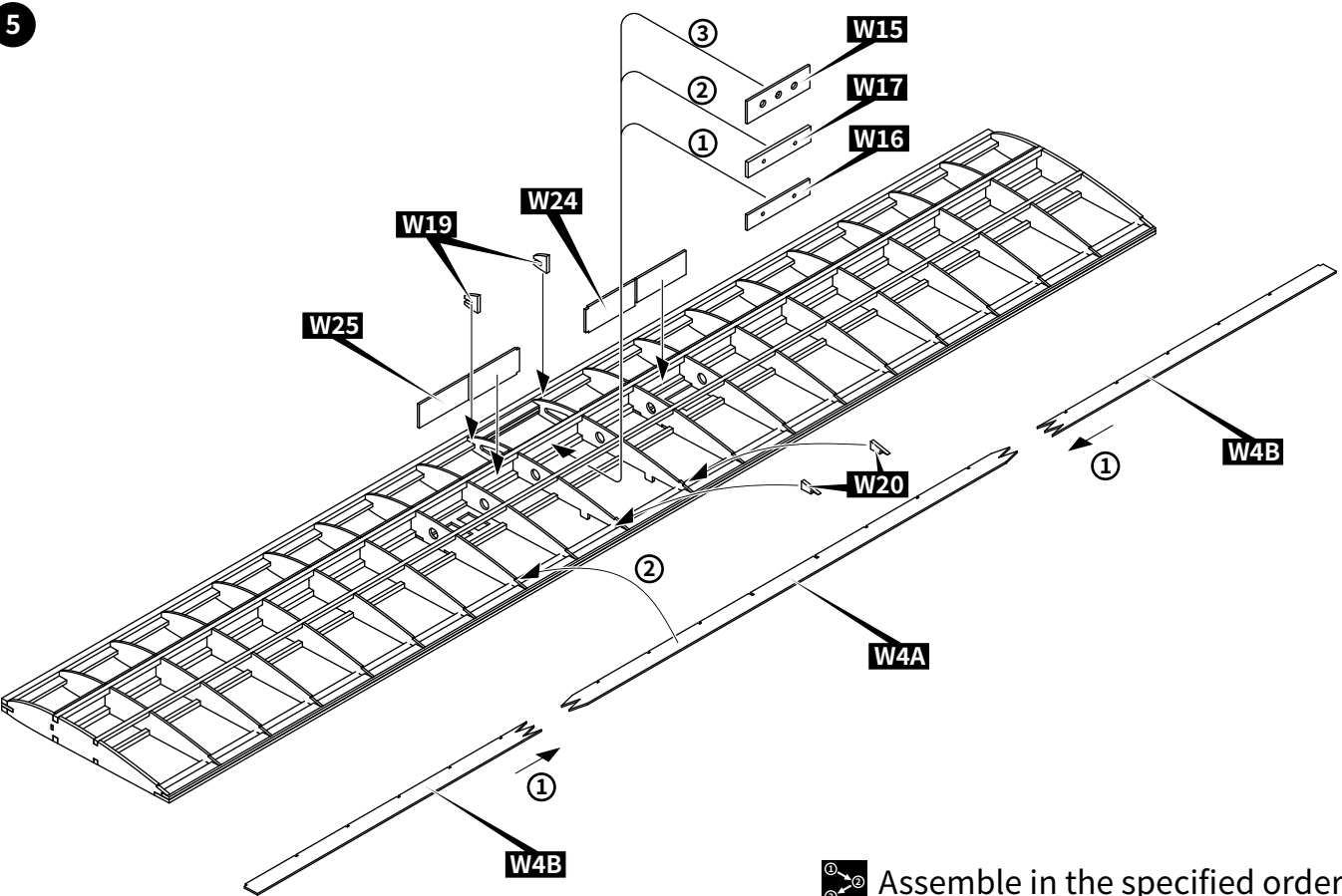
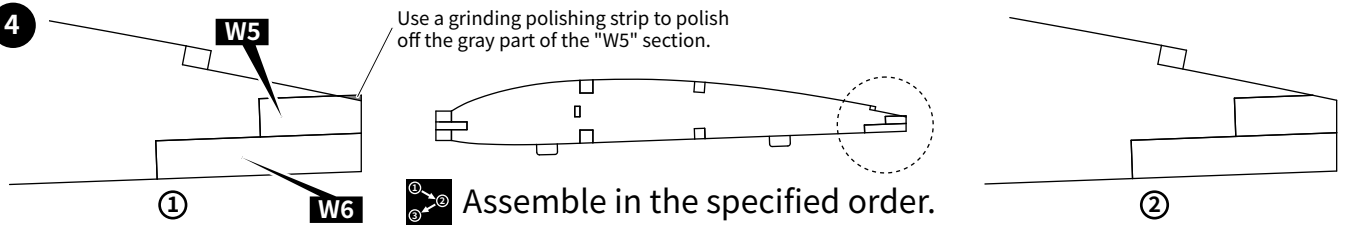
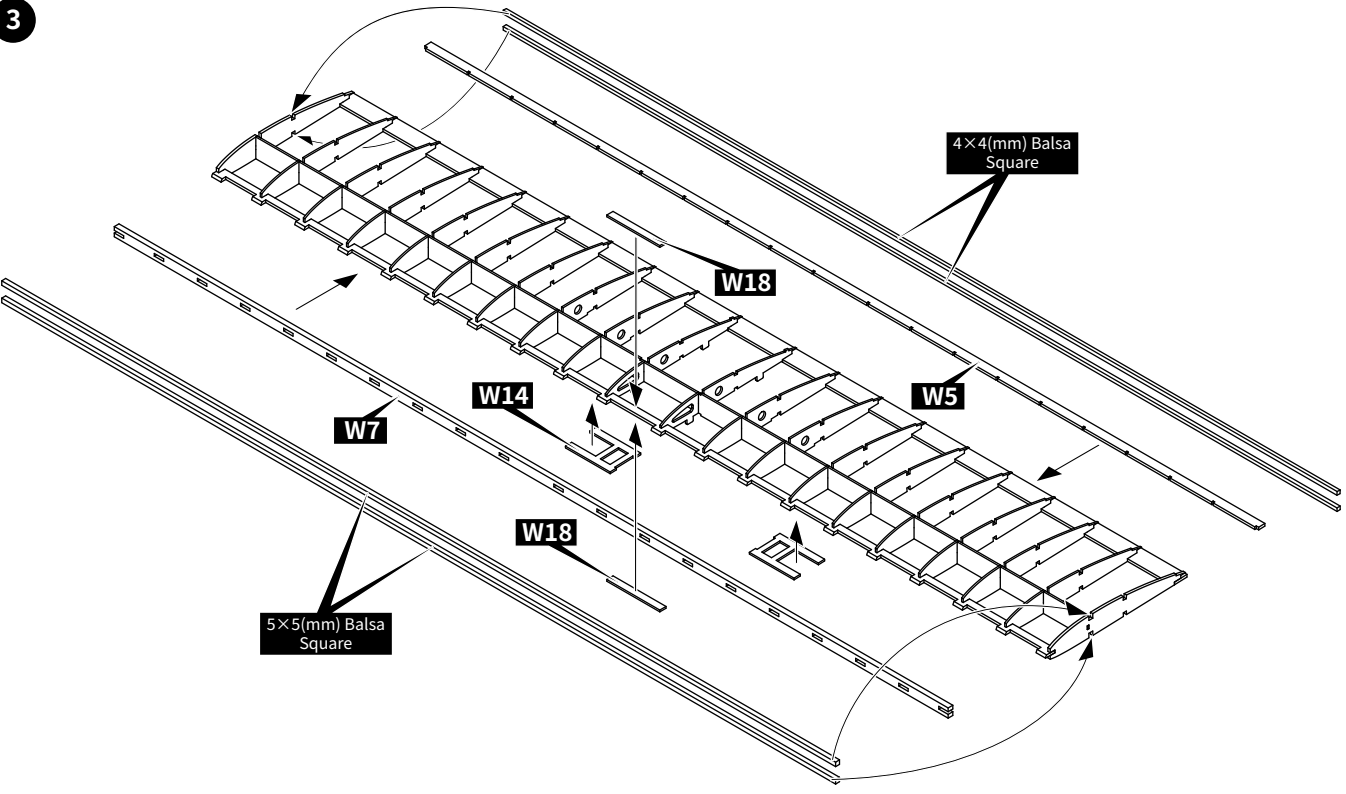


Please splice 5x5mm and 4x4mm balsa wood square strips into a whole length greater than 1075mm. All parts that need to be spliced need to be aligned using a ruler during the bonding process to prevent deformation.

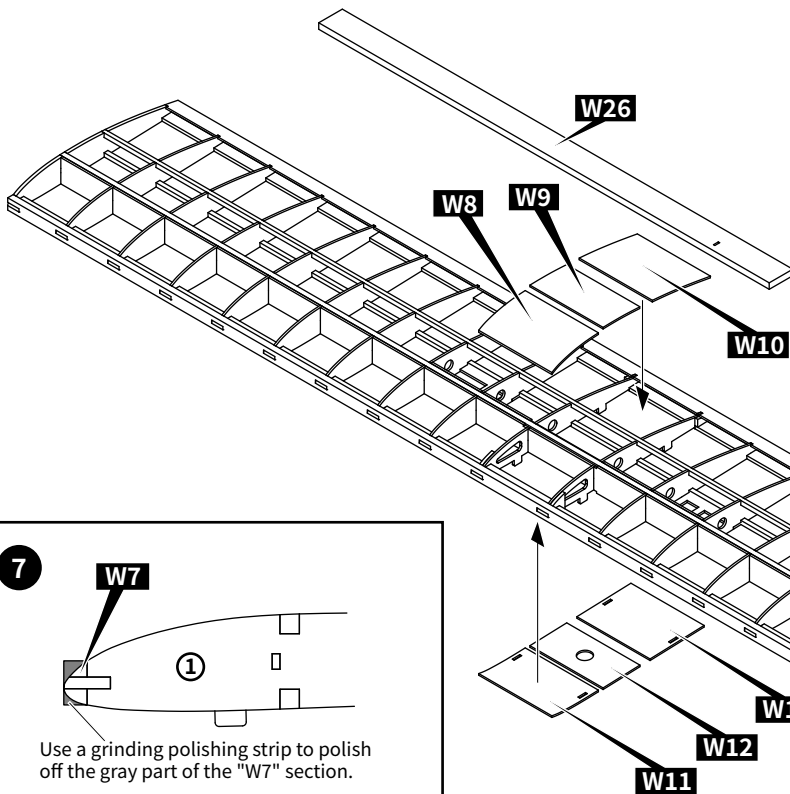
2



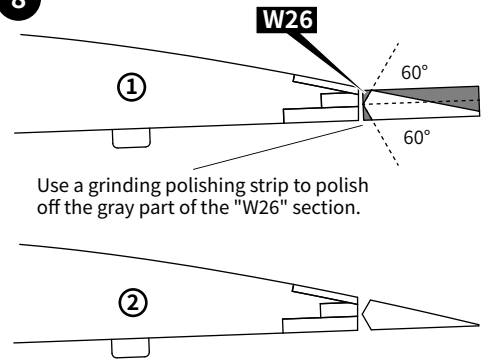
 Assemble in the specified order.



6

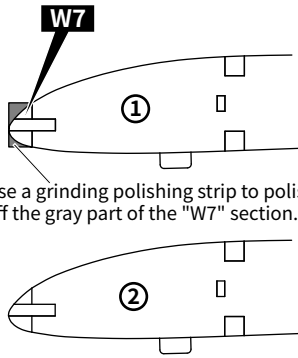


8

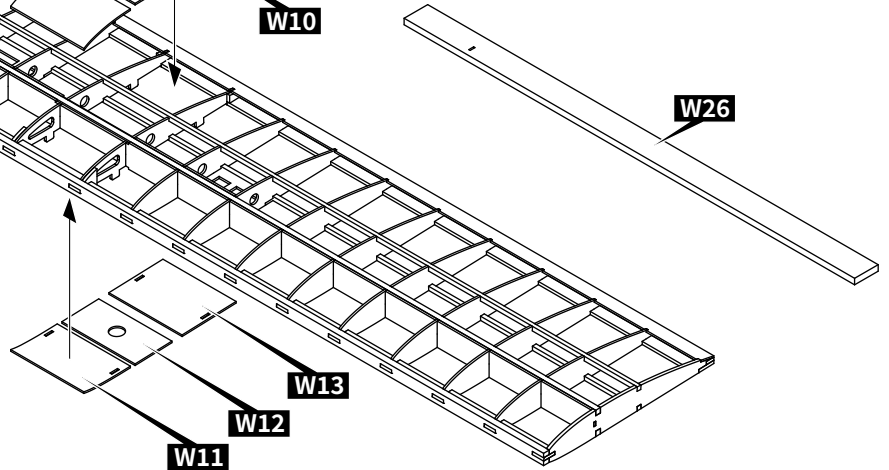



Use a grinding polishing strip to polish off the gray part of the "W26" section.

7

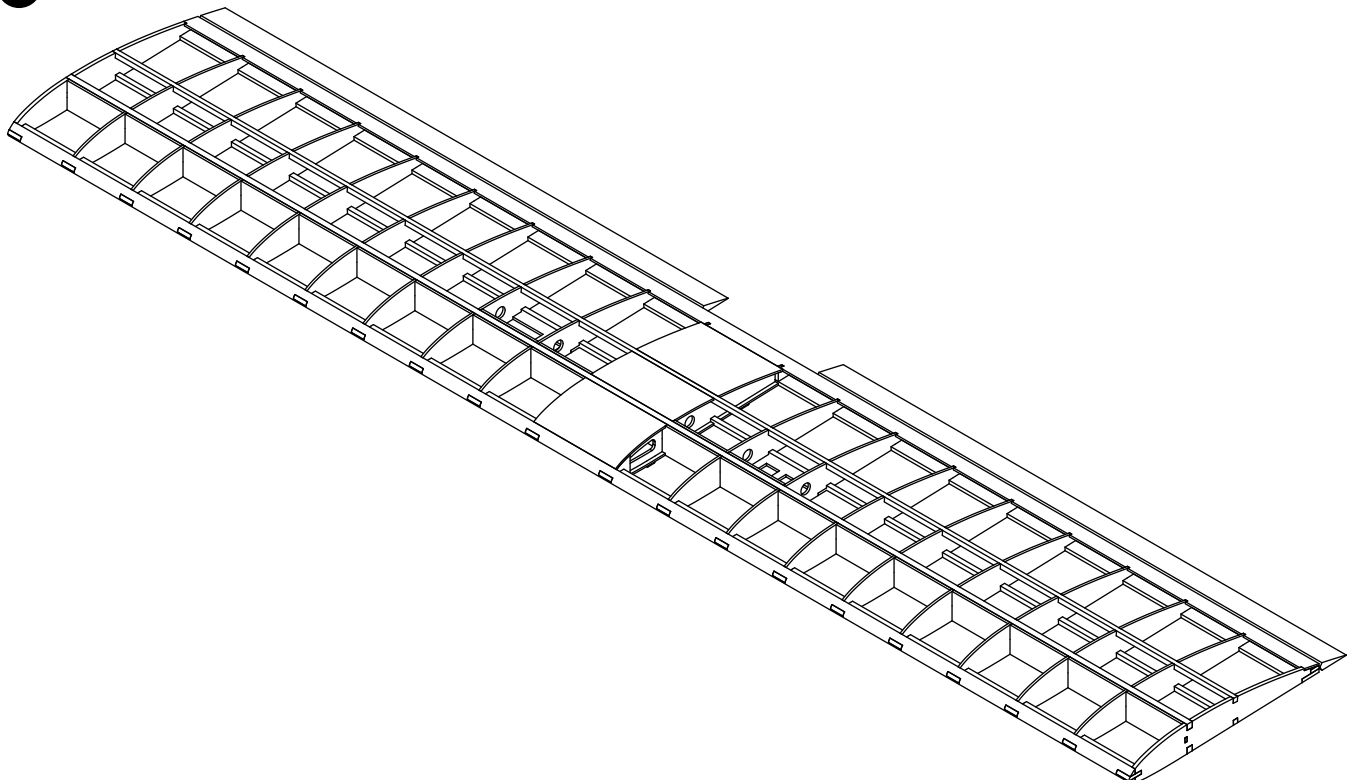


Use a grinding polishing strip to polish off the gray part of the "W7" section.

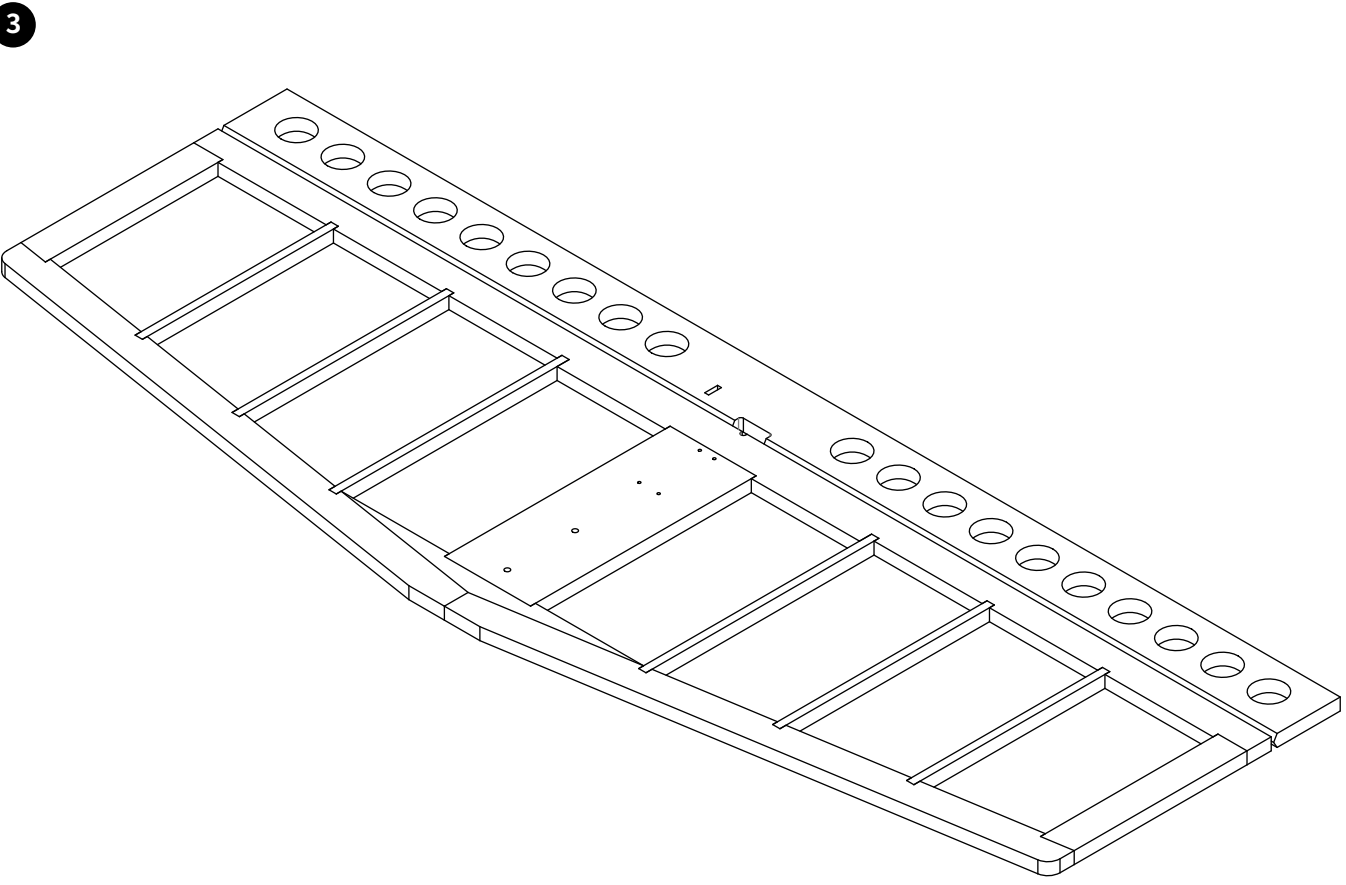
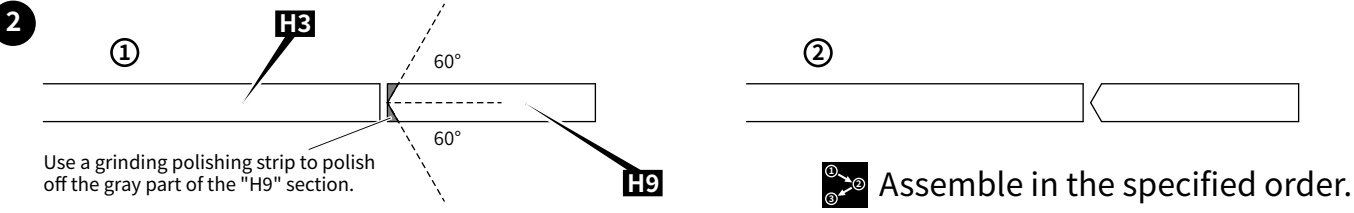
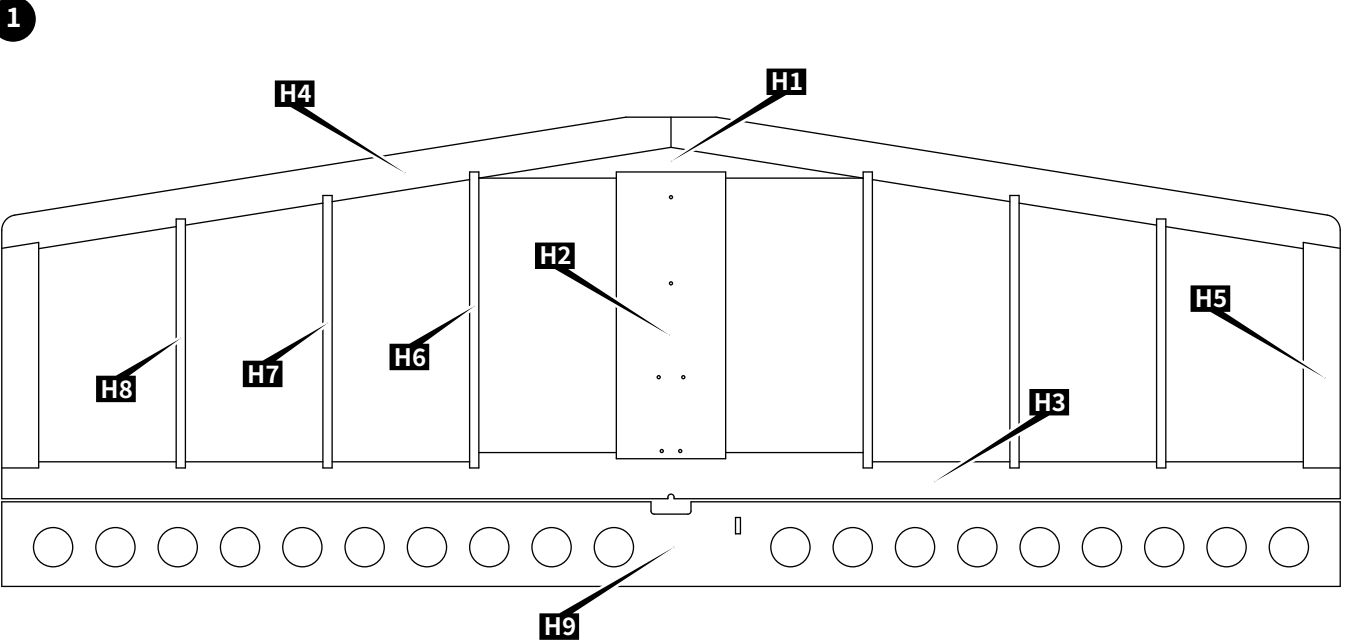


 Assemble in the specified order.

9

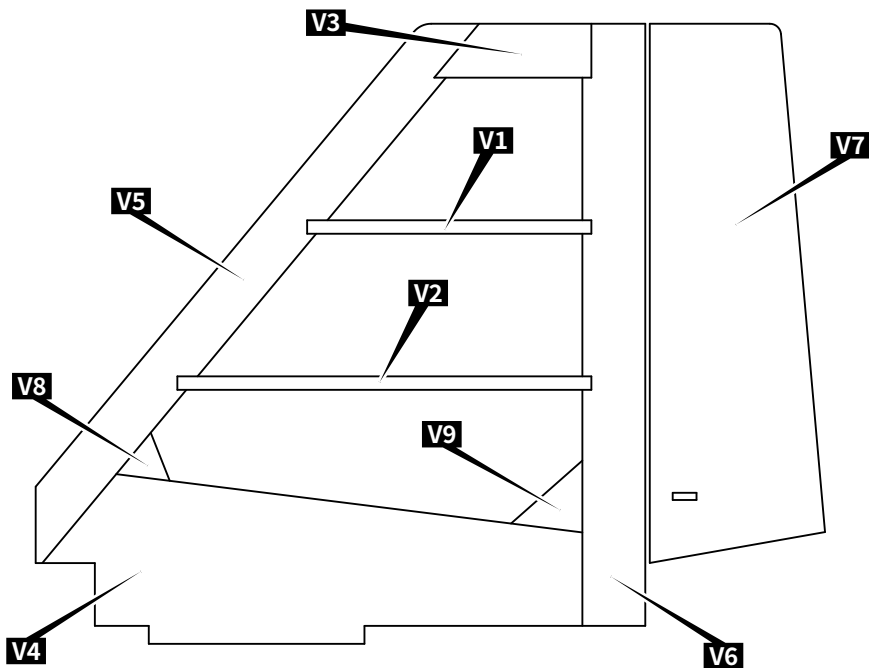


HORIZONTAL STABILIZER ASSEMBLY

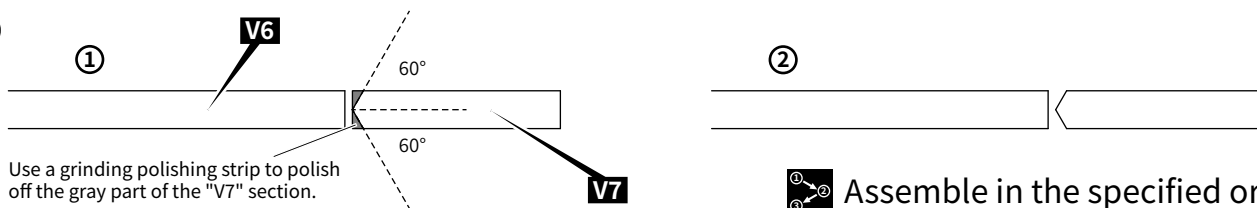


VERTICAL STABILIZER ASSEMBLY

1



2



3

